

# Godwin Lights

## Portable Light Towers

**R**eliable. Rugged. Ready. Godwin Pumps® proudly applies those same credentials to Godwin Lights—a series of portable light towers engineered to meet an array of illumination needs. Godwin Lights are powerful enough to cover 5 to 7 acres, yet portable enough to be manned by one person. And no matter where you are or what your application is, Godwin's unprecedented service is just a phone call away.



### Features

- Start limit main breaker prevents start up under a load.
- 14 gauge built steel, tubular frame provides structural reliability in a variety of conditions.
- Manually-deployed, 30' tall, 360° rotating steel mast projects 4000W of adjustable light over 5 to 7 acres.
- Four-point outrigger stance withstands 65+ MPH winds.
- Automatic shutdown triggered by low oil/high temperature.
- 30 gallon fuel tank with consumption rate of approximately 0.5 GPH for an estimated run time of 60 hours.

### Specifications

Engine	Mitsubishi L3E, 12.2 HP, four-stroke diesel, liquid-cooled (standard) Kubota D905, 11.9 HP, four-stroke diesel, liquid-cooled engine (optional)
Generator	Marathon, four-pole, brushless, self-regulated 6000W
Fuel Tank	30 gallon
Fuel	0.5 GPH
Mast & Cord	30' maximum extension, coiled
Lights	Four 1000W metal halide
Ballast Type	Coil & core
Lumens	440,000
Coverage	5-7 acres
Travel Length	166.71"
Trailer Length	107"
Trailer Width	48"
Dry Weight	1600 pounds



# Control Panel

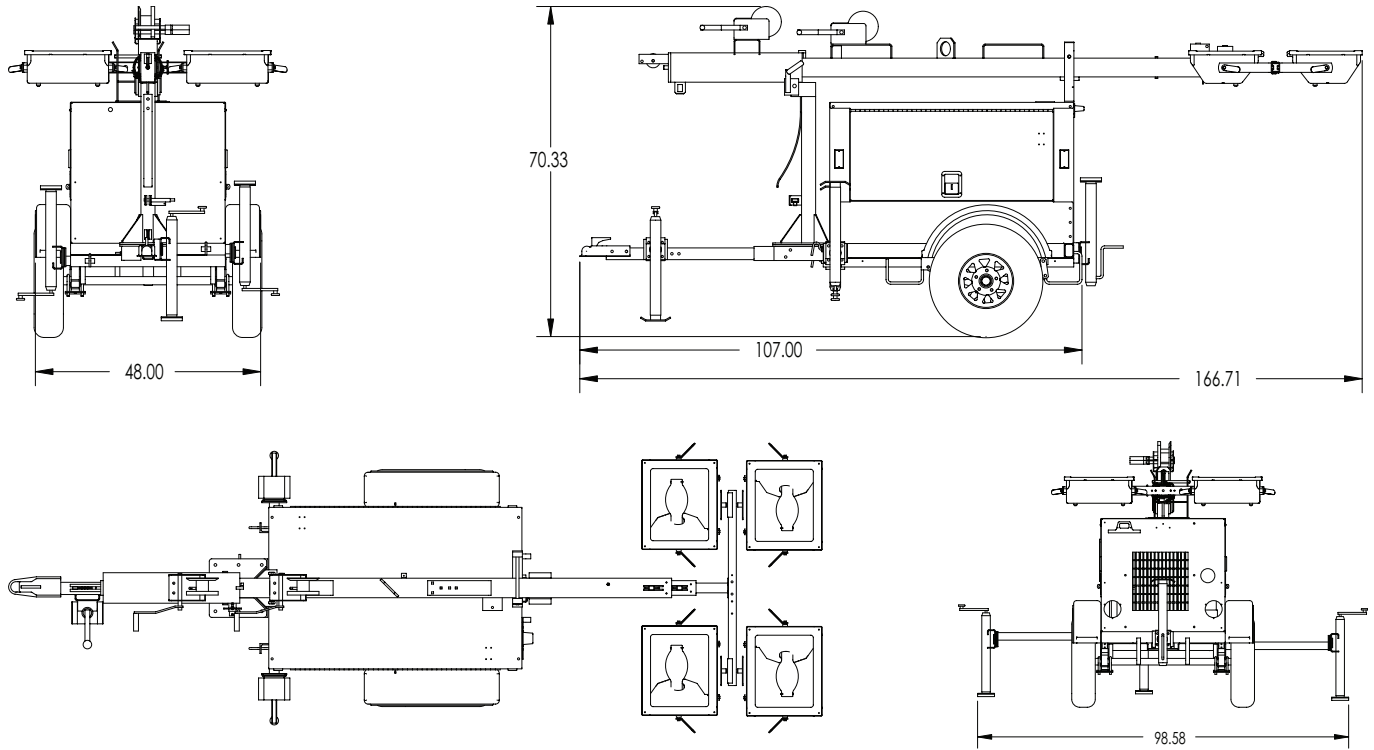


Easily accessible:

- A - Start Limit Main Breaker
- B - 20 Amp, 120V GFI Outlet
- C - 30 Amp, 240V Twistlock Outlet

- D - On/Off Switches and Indicator Lights
- E - Hour Meter

# Drawings



**Home Office:**  
 Godwin Pumps of America, Inc.  
 One Floodgate Road  
 Bridgeport, NJ 08014 USA  
 (856) 467-3636 • Fax: (856) 467-4841  
 Email: sales@godwinpumps.com  
 www.godwinpumps.com

